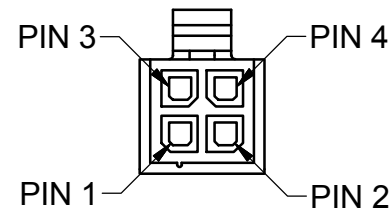
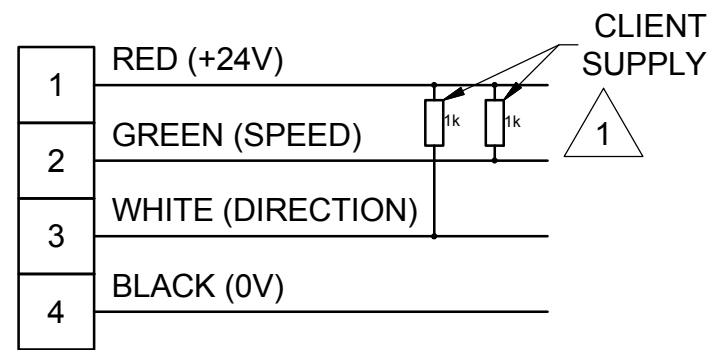
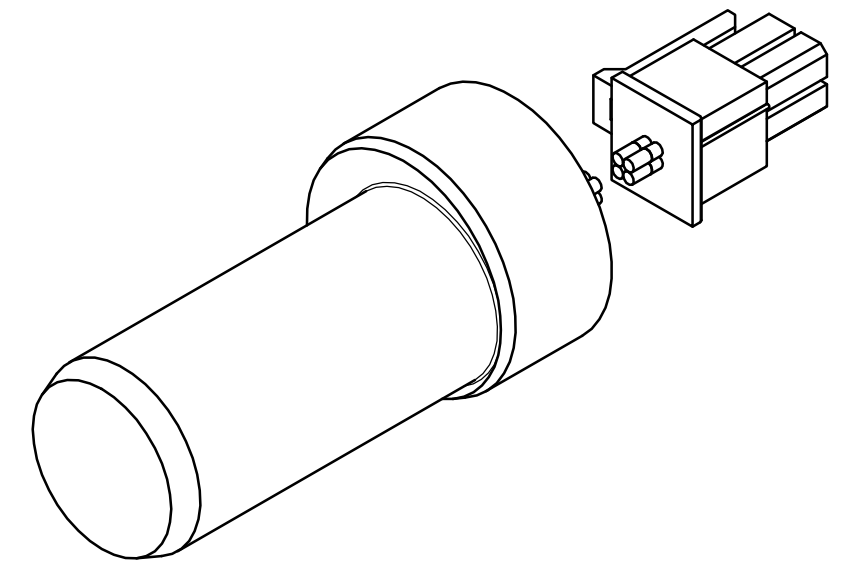
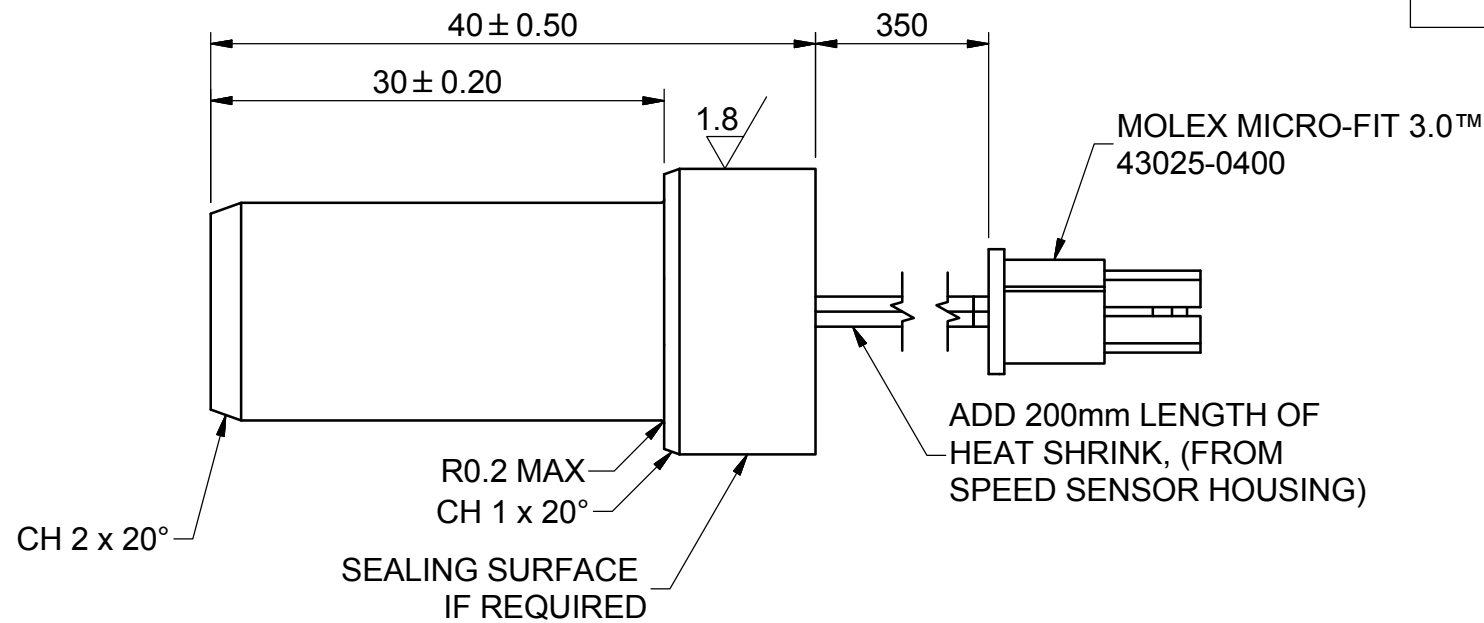
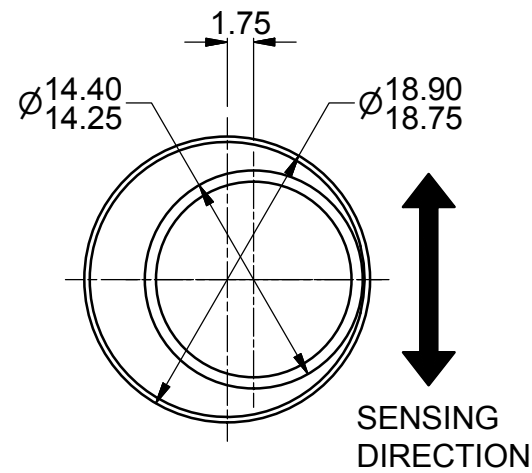


# CONNECTION WIRING



1

GENERAL SPECIFICATION	
TYPE	VALUE
SENSING DISTANCE	1mm OR LESS
SENSING TYPE	HALL EFFECT REQUIRES FERROUS TARGET
RECOMMENDED TARGET	6mm WIDE x 3mm DEEP (DEFINED EDGE REQUIRED) MINIMUM NOTCHES (RECOMMENDED)
VOLTAGE	4V - 28V
CURRENT	8.5mA NOMINAL 13mA MAXIMUM
TEMPERATURE	-40°C - +150°C
SWITCHING FREQUENCY	20kHz
DEPTH RATING	6000m
SENSOR HOUSING	ENGINEERING PLASTIC ALTERNATIVE DESIGN SHAPES AND CONNECTORS AVAILABLE ON REQUEST



## NOTES

- SPECIFICATION IS PROVIDED FOR GUIDANCE. FINAL SENSING PARAMETERS AND OPERATION WILL BE DEPENDANT ON MOUNTING ARRANGEMENT AND TARGET DETAILS. TEST ADEQUATELY PRIOR TO FINAL DEPLOYMENT.
- PULL UP RESISTORS ARE CLIENT SUPPLY
- BAG ITEM FOR DELIVERY. LABEL BAG WITH SMD P/N, ISSUE LEVEL AND PO NUMBER

REV	DATE	CHANGE COMMENT	DRAWN	CHECKED	APPD	DATE	EST. MASS	DIMENSIONS	SCALE	PROJECTION 3RD	TITLE		
1	26 APR 17	RESISTORS CHANGED TO PULL-UP. SPECIFICATION TABLE UPDATED	PM	MvZ	MvZ	3 NOV 16	0.0 kg	mm	2:1		SENSOR - SPEED & DIRECTION. HALL EFFECT.		
						DESIGNED	DRAWN	TOLERANCES UNLESS OTHERWISE STATED					
						PM	LO	DIMENSIONS mm	UP TO 100	100 TO 300	300 TO 1000	OVER 1000	MATERIAL:-
						CHECKED	APPROVED	FABRICATION	± 1.0	± 1.5	± 2.0	± 3.0	DO NOT SCALE IF IN DOUBT ASK
						MvZ	MvZ	MACHINED PART	± 0.15	± 0.4	± 0.8	± 1.0	
ALL INTELLECTUAL PROPERTY RIGHTS SUBSISTING IN THESE DESIGNS ARE THE PROPERTY OF SOIL MACHINE DYNAMICS LTD. NO COPY IS TO BE MADE WITHOUT THE WRITTEN PERMISSION OF SOIL MACHINE DYNAMICS LTD. ANY PATENT APPLICATIONS, PATENTS AND / OR DESIGN APPLICATIONS, REGISTERED DESIGNS, DESIGN RIGHTS OR COPYRIGHT ARISING FROM OR CONTAINED IN THE DESIGNS ARE THE PROPERTY OF SOIL MACHINE DYNAMICS LTD. AND ALL INFOMATION MUST BE HELD IN THE STRICTEST CONFIDENCE.													
<b>Soil Machine Dynamics Ltd</b>										DRAWING No		REV No.	SIZE
										<b>AK0521</b>		<b>1</b>	<b>A3</b>
SHEET 1 OF 1													